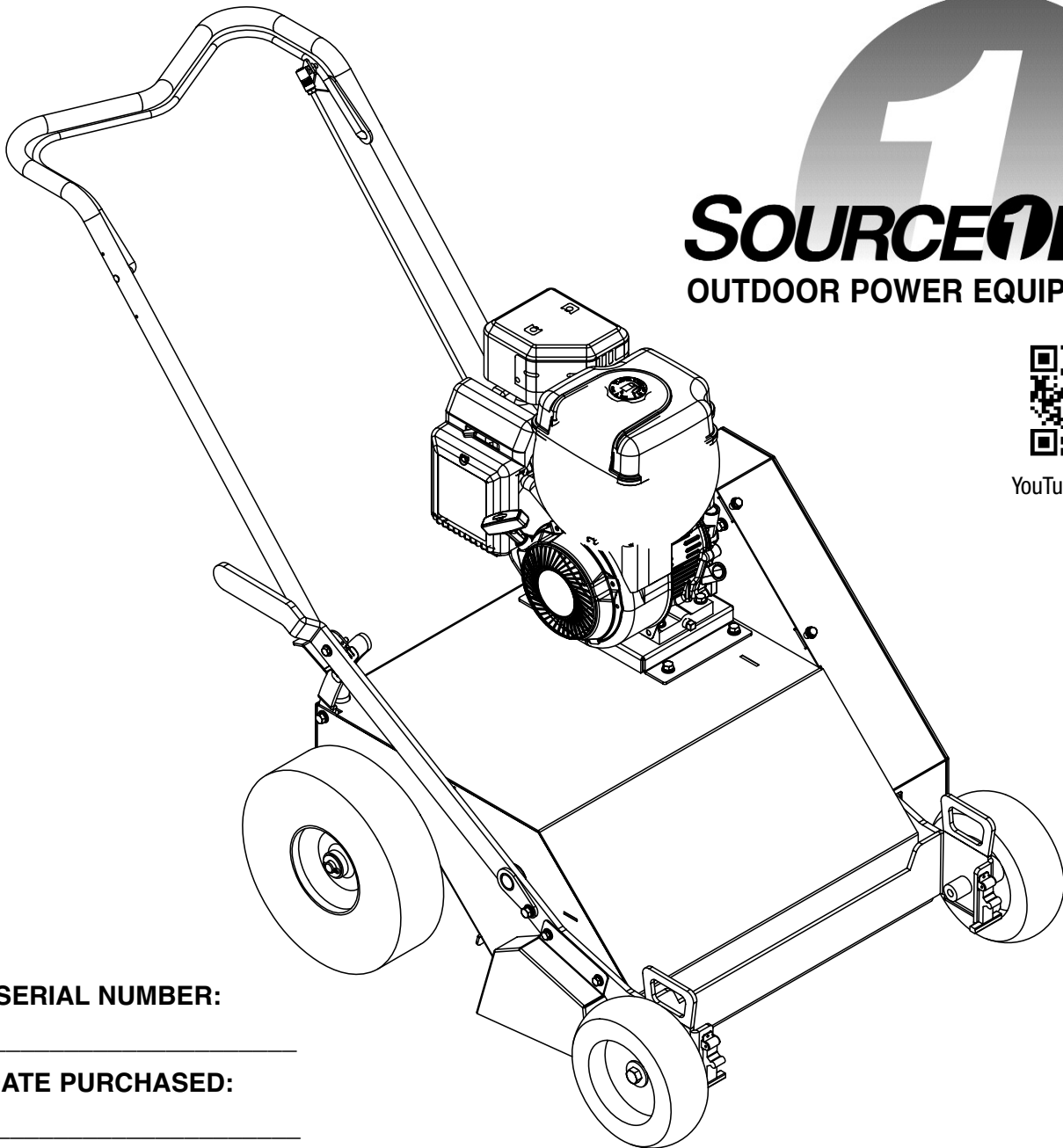


THESE INSTRUCTIONS ARE TO BE USED ONLY FOR:
MODEL DT220

REV: 05/13

MANUALS FOR OTHER MODELS CAN BE FOUND AT WWW.SOURCEONEOPE.COM



YouTube channel

SERIAL NUMBER:

DATE PURCHASED:

INSTRUCTIONS AND PARTS MANUAL
DT220 DETHATCHR™ DETHATCHER



PLUGR is a registered trademark of SourceOne Inc., a subsidiary of IMSCORP, Lincoln, NE.

1030 SW 6th Street, Lincoln, NE 68522 • (888) 418-9065 • Fax (402) 474-6605

Website: www.SourceOneOPE.com • Email: sales@SourceOneOPE.com

DT220 DETHATCHER MANUAL

ASSEMBLY INSTRUCTIONS

Engine: Engine is factory filled with high quality detergent SAE 30 oil, (SE, SF, or SG). Check level prior to operation. Please refer to the engine manual or call the engine manufacturer at the phone number listed in the engine instructions if there are any questions regarding the engine. NOTE: GASOLINE CAN BE HAZARDOUS. HANDLE GASOLINE CAREFULLY AT ALL TIMES! USE LEAD FREE GASOLINE WITHOUT OIL MIXED IN.

OPERATING INSTRUCTIONS

CAUTION! KEEP HANDS AND FEED OUT FROM UNDER MACHINE AT ALL TIMES.

Lower right lever: Leave in up position to transport. Lower depth appropriately, so blades are slightly touching the surface of the ground, to dethatch or over seed. They can be moderately adjusted after initial operation. Adjust to recommended 1/8" above soil for dethatching or 1/8" below soil for overseeding.

Engagement lever: Engage blades slowly while going in forward motion. Always disengage when crossing obstacles.

Rate control handle: Adjust stop according to calibration chart. Open seed hopper lever if applying seed.

To start operation: Gently lift lower handle, to start forward motion. Engage blades slowly. Open seed hopper lever. To make a turn, continue to hold bottom lever, and push down on handle, till front wheels come off of the ground, proceed to turn machine around, till going parallel to previous pass. Set front wheels back on ground, and proceed. DO NOT attempt to turn machine with all 4 wheels on the ground.

Dethatching: For dethatching or slicing, seed hopper can be removed.

Overseeding: If over seeding, see attached calibration chart and set flow rate accordingly.

MAINTENANCE INSTRUCTIONS

Shaft bearings: Grease both crank shaft ball bearings on the zerks provided every 100 hours of operation.

Wheel bearings: Grease wheel ball bearings on the zerks provided every 100 hours of operation.

Engine oil/filter: See engine manufacturer's instructions. Change oil and filter at least once a season per engine manual.

Decals: All safety decals are available for replacement at no cost. Do not operate without all warning labels clearly readable.

DT220 SPECIFICATIONS

Machine Width	32"
Dethatching Width Per Pass	22"
Approx. Blade Spacing	.625"
Number of Flail Blades	28
Blade Depth Settings	11
Approx. Blade Depth	Up to .5"
Approx. Sq. Ft. Per Hour (Up to)	30,000
Operating Speeds	Up to 3 MPH
Rear Tire Size/Type	13" x 5" Pneumatic
Front Tire Size/Type	8" x 2.5" Semi-Pneumatic
Seed Hopper Capacity*	20# (60# Fertilizer)
Shipping Weight	228 lbs.
Actual Machine Weight	192 lbs.
Engine Options	Briggs & Stratton 825 Series Intek OHV (approx. 5.5 HP) or Kohler Command Pro (approx. 7 HP) * optional

WARRANTY

LIMITED WARRANTY FOR OVERSEEDER (engine excluded)

For two full years from date of purchase and first use, SourceOne will replace for the original purchaser free of charge any parts of the machine (excluding engine, tines and belts) found upon examination by SourceOne or its approved agent to be defective in material or workmanship or both. This is the exclusive warranty.

All expedited transportation charges on parts submitted for replacement must be borne by purchaser. For warranty service contact the dealer from whom you purchased machine or the factory in Lincoln, Nebraska which reserves the right to examine the machine and make its own evaluation at its option. THERE IS NO OTHER EXPRESS WARRANTY. IMPLIED WARRANTIES, INCLUDING THOSE OF MERCHANTABILITY AND FITNESS FOR A PARTICULAR PURPOSE, ARE LIMITED TO ONE YEAR FROM DATE OF PURCHASE. TO THE EXTENT PERMITTED BY LAW ANY AND ALL IMPLIED WARRANTIES ARE EXCLUDED. LIABILITY FOR CONSEQUENTIAL DAMAGES UNDER ANY AND ALL WARRANTIES ARE EXCLUDED TO THE EXTENT EXCLUSION IS PERMITTED BY LAW. Some jurisdictions do not allow limitations on how long an implied warranty lasts, and some jurisdictions do not allow the exclusion or limitation of incidental or consequential damages, so the above limitation and exclusion may not apply to you. This warranty gives you specific legal rights and you may also have other rights, which may vary from jurisdiction to jurisdiction.

SEED AND FERTILIZER HOPPER CALIBRATION CHART

Start by ensuring that your spreader calibration is correct.

Make sure the holes in the bottom of the hopper are fully open when the Rate Control handle is on #30. If not, please adjust control cable or rod to allow for a full open hopper position at #30.

Look for EarthWay or Ev-N-Spred models on the fertilizer for settings. If there are none listed, please use the comparison chart below as a guide to estimate your spreader setting. These settings are approximate and intended as a guide only. Variations in physical characteristics of material applied, walking speed and surface roughness may require slightly different spreader settings.

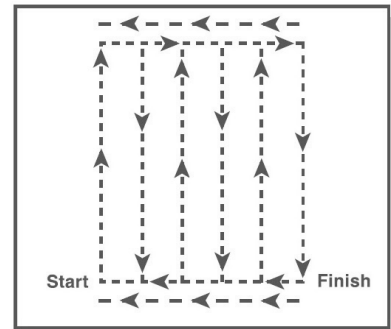
Due to the above conditions, the manufacturer makes no warranty as to the uniformity of coverage actually obtained from settings listed.

Drop Setting Matrix SQ/FT COVERAGE

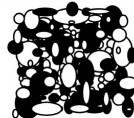
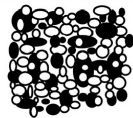
BAG WEIGHT	5,000 LBS/1000	10,000 LBS/1000	15,000 LBS/1000
5 LBS.	1.0	0.5	0.3
10 LBS.	2.0	1.0	0.7
15 LBS.	3.0	1.5	1.0
18 LBS.	3.6	1.8	1.2
20 LBS.	4.0	2.0	1.3
25 LBS.	5.0	2.5	1.7
30 LBS.	6.0	3.0	2.0
35 LBS.	7.0	3.5	2.3
40 LBS.	8.0	4.0	2.7
45 LBS.	9.0	4.5	3.0
50 LBS.	10.0	5.0	3.3

Example Bag Weight Chart to calculate the number of lbs. per 1,000 square feet.

SUGGESTED WALKING PATTERN



Fertilizer



FINE/SMALL
(SAND)

MEDIUM
(HALF BB)

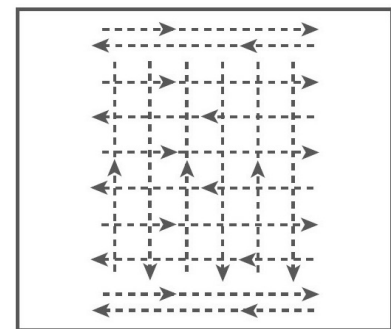
BIG (BB)

PARTICLE SIZES
LBS./1,000 Sq. Ft.

SETTING/
SPREAD WIDTH SETTING/
SPREAD WIDTH SETTING/
SPREAD WIDTH

1 LB.	11 / 21"	11 / 21"	12 / 21"
2 LBS.	13 / 21"	13 / 21"	13 / 21"
3 LBS.	14 / 21"	14 / 21"	14 / 21"
4 LBS.	16 / 21"	16 / 21"	15 / 21"
5 LBS.	17 / 21"	17 / 21"	17 / 21"
6 LBS.	18 / 21"	18 / 21"	18 / 21"
7 LBS.	19 / 21"	19 / 21"	19 / 21"
8 LBS.	20 / 21"	20 / 21"	20 / 21"
9 LBS.	22 / 21"	21 / 21"	21 / 21"
10 LBS.	23 / 21"	22 / 21"	22 / 21"

HALF RATE SETTINGS



Grass Seed

Fine  Coarse 
SETTING/
SPREAD WIDTH SETTING/
SPREAD WIDTH

2 LBS.	17	13
3 LBS.	14	14
4 LBS.	16	15
5 LBS.	17	17



SAFETY INSTRUCTIONS *Instrucciones de Seguridad*

Turf aerators are designed exclusively for the purpose of the improvement of turf grass by removing "plugs" of existing turf to allow the flow of nutrients, water and oxygen to the roots. Any other use is unadvisable and can cause serious injury or death. *Los aireadores de césped son diseñados exclusivamente con el objetivo de mejorar el césped removiendo los tapones existentes de hierba para permitir el flujo de sustancias nutritivas, agua y oxígeno a las raíces. Cualquier otro uso no es aconsejable y puede causar serias heridas o la muerte.*

DO HACER:

- Always follow operating instructions. *Siempre seguir las instrucciones de operación.*
- Operate only with the guard/cover in place. *Operar sólo con la cubierta/tapa en su lugar.*
- Wear protective equipment including hearing protection, eye shields and proper footwear. *Usar equipo de protección incluyendo protección auditiva, lentes protectores y artículos de calzado apropiados.*
- Read and heed all warning labels affixed to the machine. *Leer y prestar atención a las etiquetas de advertencia adjuntas a la máquina.*
- Remove spark plug wire when machine is not being used to prevent operation without instruction. *Quitar el alambre de bujía cuando la máquina no esté en uso para prevenir la operación sin instrucción.*
- Clear area to be dethatched, overseeded, or fertilized of all loose objects and all children. *Limpiar el área a ser ventilada de objetos sueltos y todos los niños.*
- Flag sprinkler heads and other hidden obstacles and holes. *Marcar las cabezas de los aspersores y otros obstáculos escondidos y agujeros.*
- Practice operation in an open area prior to operation in tight areas. *Practicar la operación en un área abierta antes de operar en áreas estrechas.*
- Keep hands and feet away from operating parts. *Mantener manos y pies fuera del alcance de las partes operadoras.*
- Use hearing protection. Tested noise levels range from 86.4dB(A)-89.5dB(A). *Usar protección auditiva. Niveles de ruido probados oscilan entre los 86.4 dB (A) hasta los 89.5 dB (A).*



DO NOT NO HACER:

- Operate on severe slopes (exceeding 15°). *Operar sobre cuevas severas (excediendo 15°).*
- Allow children to operate or be within 50' of operation. *Permitir a niños operarlo o que estén dentro de 50' de la operación.*
- Operate without guard/cover attached. *Operar sin la tapa / cubierta puesta.*
- Operate when footing is unsure. *Operar cuando el equilibrio es inseguro.*
- Leave machine unattended while running. *Dejar la máquina desatendida mientras funciona.*
- Operate when dark or hard to see clearly. *Operar cuando está oscuro o difícil de ver claramente.*
- Override the safety shutoff switch. *Anular el interruptor de apagado de seguridad.*
- Lift guard/cover without positioning body to avoid lift injury. *Levantar la tapa/cubierta sin posicionar el cuerpo para evitar un herida de levantamiento.*
- Allow feet to be placed under the rear of machine. *Permitir que los pies sean colocados bajo el reverso de la máquina.*
- Operate without instructions. *Operar sin instrucciones.*
- Allow others to operate without access to instructions. *Permitir a otros su operación sin acceso a las instrucciones.*
- Operate without warning labels clearly readable. *Operar sin las etiquetas de advertencia claramente legibles.*

NEVER ALLOW CHILDREN TO OPERATE POWER EQUIPMENT
NUNCA PERMITIR A NIÑOS OPERAR EL EQUIPO DE PODER

MACHINE LABELS *Etiquetas de la Máquina*

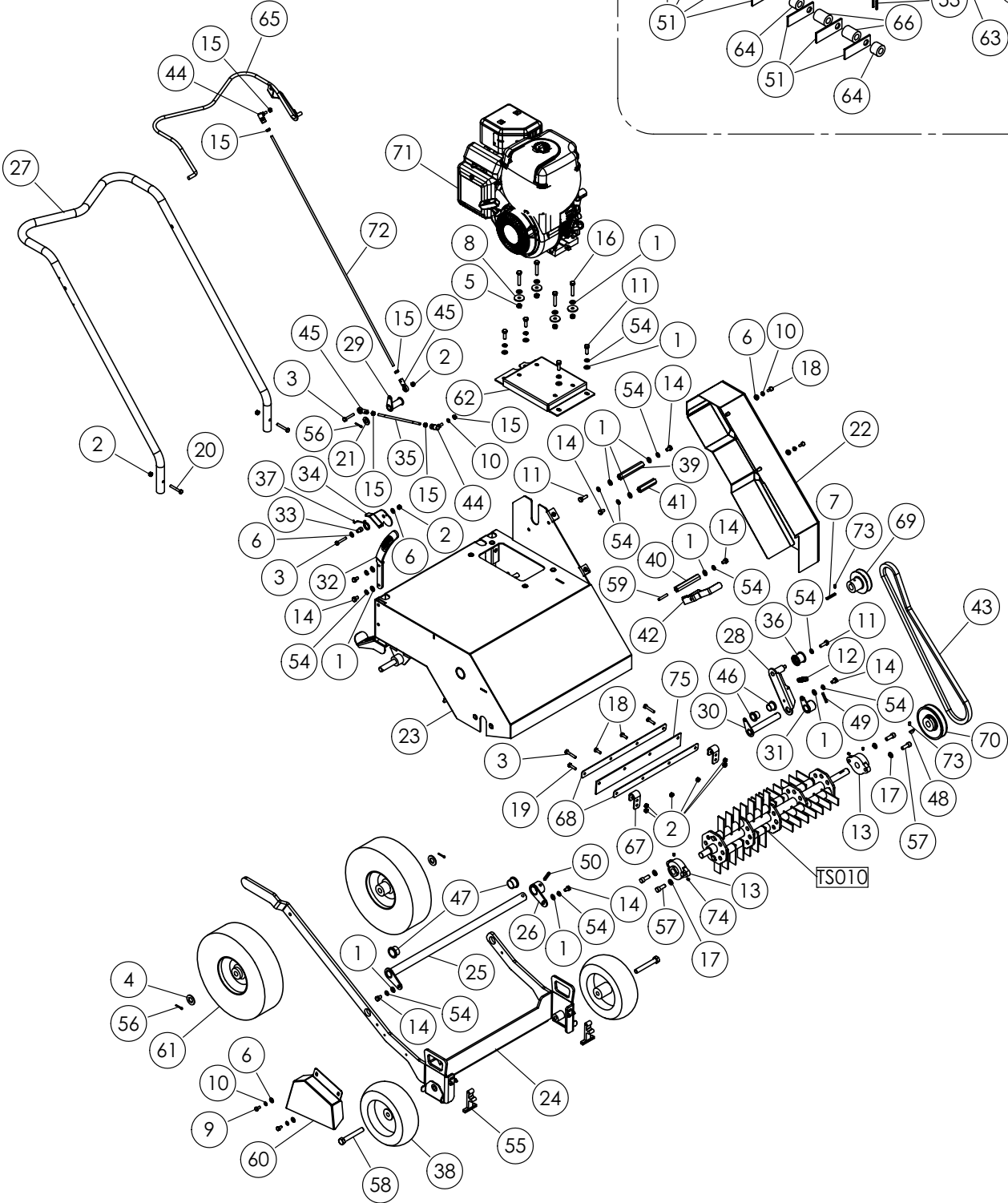
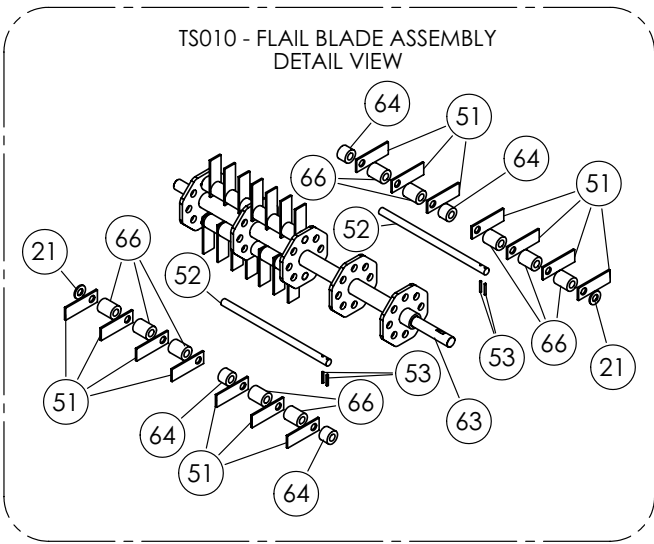
DT220

MODEL: DT220 
SERIAL #: XXXXX 
WEIGHT: XXXXXXX



DO NOT OPERATE MACHINERY WITHOUT SAFETY LABELS. FREE REPLACEMENT LABELS ARE AVAILABLE UPON REQUEST BY CONTACTING SOURCEONE CUSTOMER SERVICE.

Parts Diagram for Model DT220



Parts List for Model SL220

ITEM #	PART #	QTY.	DESCRIPTION
1	PL1015	17	Flat Washer, Ø5/16
2	PL1029	10	Nylock Nut, 1/4-20 UNC
3	PL1048	4	Hex Bolt, 1/4-20 UNC x 1-1/2"
4	PL1063	2	Flat Washer, Ø5/8
5	PL1072	4	Nylock Nut, 5/16-18 UNC
6	PL1091	6	Flat Washer, Ø1/4
7	PL1123	1	Key, 3/16" x 1-1/2"
8	PL1178	4	Fender Washer, Ø5/16
9	PL1181	2	Hex Bolt, 1/4-20 UNC x 1/2"
10	PL1182	5	Split Lock Washer, Ø1/4
11	PL1184	6	Hex Bolt, 5/16-18 UNC x 1"
12	PL1222	1	Extension Spring, Ø1/2 x 2"
13	PL1232	2	Flange Cartridge Bearing, Ø3/4"
14	PL1241	8	Hex Bolt, 5/16-18 UNC x 1/2"
15	PL1243	6	Hex Nut, 1/4-28 UNF
16	PL1248	4	Hex Bolt, 5/16-18 UNC x 1-3/4"
17	PL1250	4	Lock Washer, Ø3/8
18	PL1252	4	Hex Bolt, 1/4-20 UNC x 3/4"
19	PL1267	2	Hex Bolt, 1/4-20 UNC x 1"
20	PL1328	2	Hex Bolt, 1/4-20 UNC x 1-3/4"
21	PL1329	6	Flat Washer, Ø1/2
22	PL1388	1	Belt Guard, 220 Series
23	PL1398	1	Frame, 220 Series
24	PL1399	1	Axle Lift Frame
25	PL1402	1	Axle Pivot Shaft
26	PL1403	1	Axle Pivot Lock
27	PL1404	1	Handle, 220 Series
28	PL1409	1	Blade Drive Belt Tensioner
29	PL1410	1	Belt Tensioner Bell Crank
30	PL1413	1	Belt Tensioner Shaft
31	PL1414	1	Belt Tensioner Shaft Lock
32	PL1416	1	Elevation Ratchet
33	PL1417	1	Ratchet Spacer
34	PL1418	1	Ratchet Lock Tab
35	PL1427	1	Rod, Lower Belt Tensioner
36	PL1434	1	Idler, Flat Ø1-1/8" x 3/8" Bore
37	PL1436	1	Torsion Spring
38	PL1439	2	Wheel, 8" w Ø5/8 Bearing Hub
39	PL1442	1	Belt Guard Standoff, Upper
40	PL1443	1	Belt Guard Standoff, Lower
41	PL1444	1	Belt Guide Shaft
42	PL1447	1	Drive Belt Guide
43	PL1449	1	Cogged V-Belt, BX48
44	PL1450	2	QD Rod End, 1/4-28 UNF
45	PL1453	2	Spherical Rod End, 1/4-28 UNF
46	PL1464	2	Flange Bushing, 3/4 ID x 7/8 OD
47	PL1465	2	Flange Bushing, 1.0 ID x 1-1/8 OD
48	PL1484	1	Woodruff Key #9 3/16" X 3/4"
49	PL1490	1	Coiled Spring Pin 1/4 X 1-1/4
50	PL1491	1	Coiled Spring Pin 1/4" x 1-1/2"

ITEM #	PART #	QTY.	DESCRIPTION
51	PL1494	28	Flail Blade
52	PL1495	4	Flail Blade Rotation Shaft
53	PL1497	8	Spring Pin, Ø1/8 x 7/8"
54	PL1504	14	Lock Washer, Ø5/16
55	PL1509	2	Rubber Latch Disassembled
56	PL1523	3	Cotter Pin, Ø1/8 x 1"
57	PL1540	4	Cap Screw, 3/8-16 UNC x 1"
58	PL1550	2	Hex Bolt 1/2 - 13UNC x 3-1/2"
59	PL1553	1	Setscrew, 5/16-18 UNC x 1-1/2"
60	PL1607	1	Blade Cover
61	PL1653	2	Wheel, 12" w Ø5/8 Bearing Hub
62	PL1701	1	Engine Plate, 220 Series
63	PL1703	1	Flail Blade Shaft Weldment
64	PL1704	8	Flail Blade Short Spacer
65	PL1706	1	Clutch Lever, 220 Series
66	PL1724	20	Flail Blade Long Spacer
67	PL1726	2	Diversion Flap Clip
68	PL1727	2	Diversion Flap Plate
69	PL1731	1	Engine Pulley, Ø3.0 x 3/4 Bore
70	PL1732	1	Drive Pulley, Ø4.45 x 3/4 Bore
71	PL1733	1	Briggs & Stratton 900 Engine
72	PL1746	1	Threaded Rod, Clutch Link
73	PL1763	2	Setscrew, 1/4-20 x 3/8"
74	PL1764	4	Setscrew, 1/4-20 x 1/4"
75	PL1766	1	Diversion Flap

**THESE INSTRUCTIONS ARE TO BE USED
ONLY FOR:
MODEL DT220**

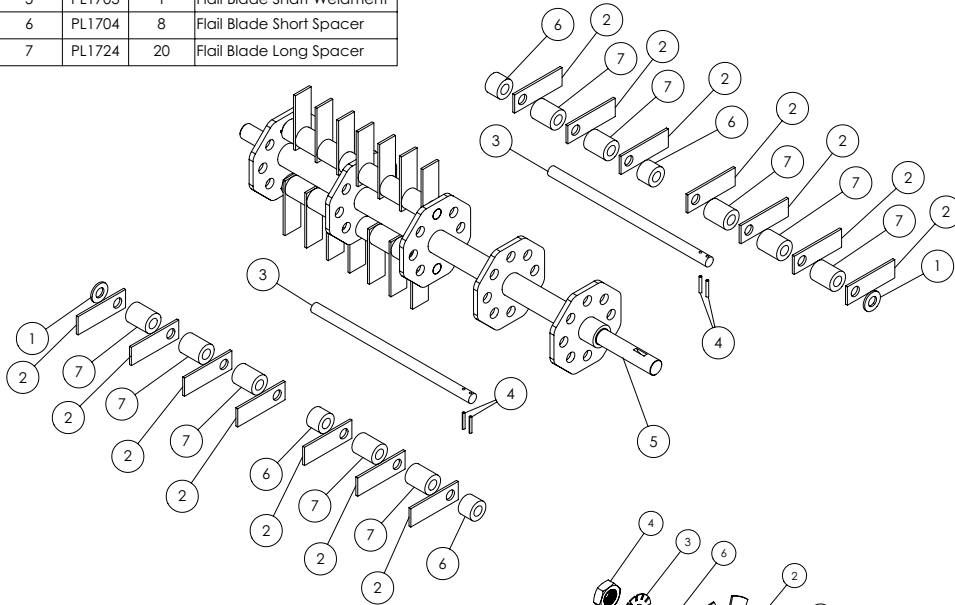
**MANUALS FOR OTHER MODELS CAN BE
FOUND AT WWW.SOURCEONEOPE.COM**

Parts Diagrams and Parts Lists for Optional Equipment

ITEM #	PART #	QTY.	DESCRIPTION
1	PL1329	4	Flat Washer, Ø1/2
2	PL1494	28	Flail Blade
3	PL1495	4	Flail Blade Rotation Shaft
4	PL1497	8	Spring Pin, Ø1/8 x 7/8"
5	PL1703	1	Flail Blade Shaft Weldment
6	PL1704	8	Flail Blade Short Spacer
7	PL1724	20	Flail Blade Long Spacer

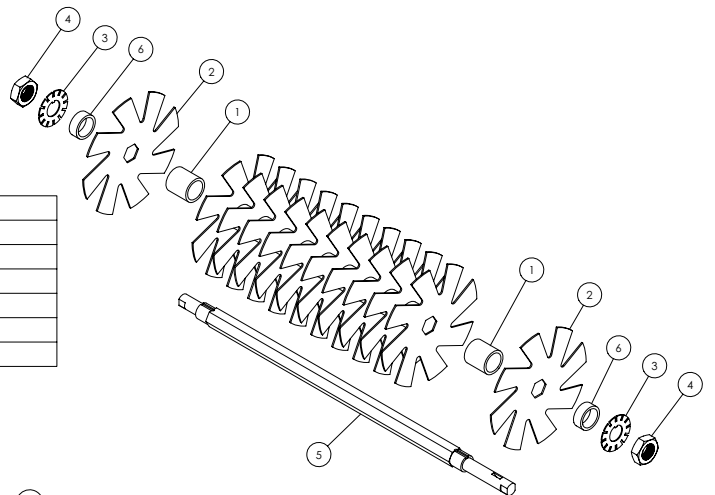
Model TS010 Flail Blade Assembly

If installing in a DT220, conversion pulleys are required (part numbers PL1731 & PL1732). Please contact SourceOne for assistance.



Model DT010 Slicer Knife Assembly

ITEM #	PART #	QTY.	DESCRIPTION
1	PL1429	11	Blade Spacer, Standard
2	PL1430	12	Slicer Blade
3	PL1448	2	Blade Shaft Lock Washer
4	PL1554	2	Jam Nut, 1-14 UNS
5	PL1555	1	Slicer Blade Shaft
6	PL1765	2	Slicer Spacer, Short



Model DT020 Seeder Kit

ITEM #	PART #	QTY.	DESCRIPTION
1	PL1029	7	Nylock Nut, 1/4-20 UNC
2	PL1091	10	Flat Washer, Ø1/4
3	PL1113	4	Button Head Screw, 10-24 x 1/2"
4	PL1244	2	Lock Nut, 1/4-20 UNC
5	PL1245	2	Phillips Machine Screw, 1/4-20 x 3/4"
6	PL1252	7	Hex Bolt, 1/4-20 UNC x 3/4"
7	PL1390	1	Seed Box Bracket
8	PL1408	1	Gerator Control Plate
9	PL1419	1	Over Seeder Control Mount
10	PL1420	1	Over Seeder Control Lock
11	PL1424	1	Seed Gerator Cage
12	PL1462	1	Seed Box
13	PL1467	1	Seed Box Cover
14	PL1468	2	Belleville Washer, Ø1/4
15	PL1478	2	Seed Gerator Drive Wheel
16	PL1541	2	Setscrew, 5/16-18 UNC x 1/2"
17	PL1552	3	Setscrew, 10-32 UNF x 1/2"
18	PL1641	1	Seed Gerator Control Cable
19	PL1691	1	Seed Gerator Shaft
20	PL1692	1	Seed Gerator Control Lever
21	PL1767	1	Seed Gerator Control Gage

